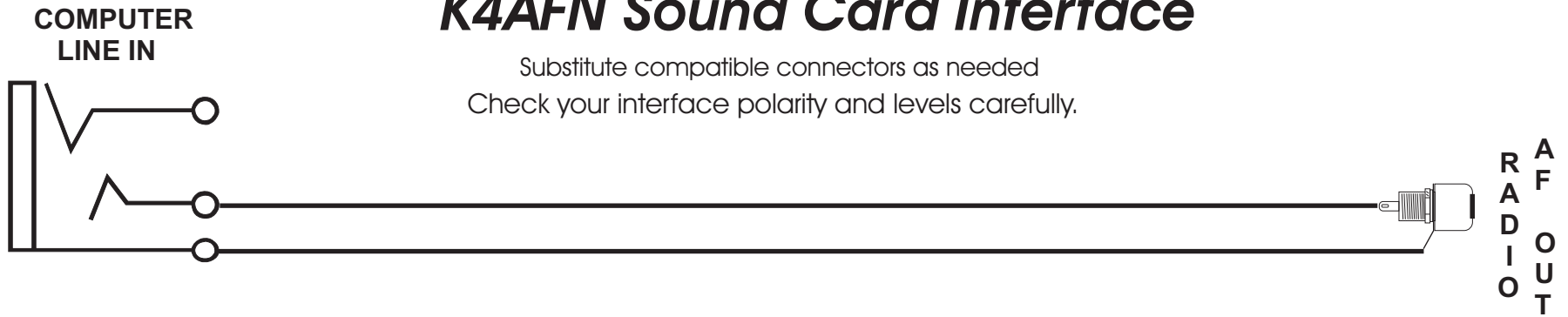
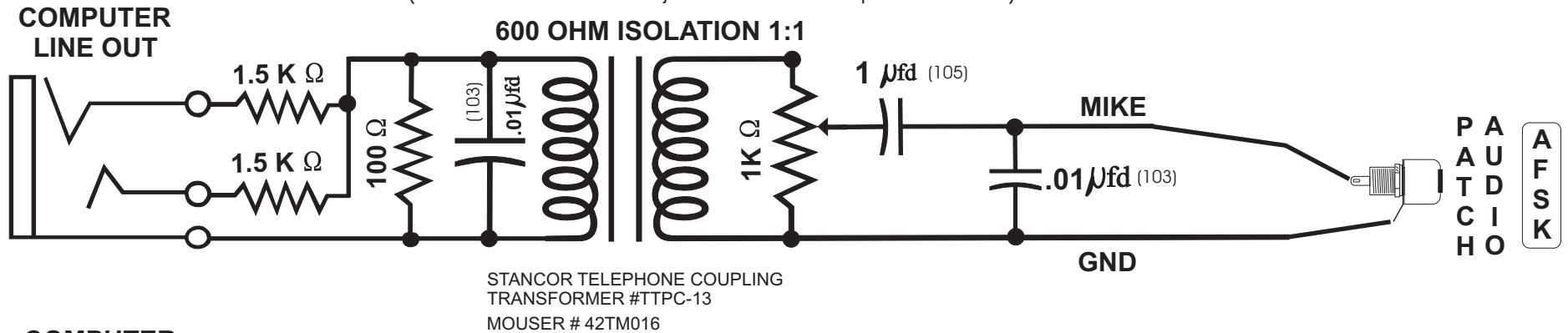


K4AFN Sound Card Interface

Substitute compatible connectors as needed
Check your interface polarity and levels carefully.



(Audio modulation - Adjust Pwr level - Keep ALC at zero)



COMPUTER COMM PORT

